

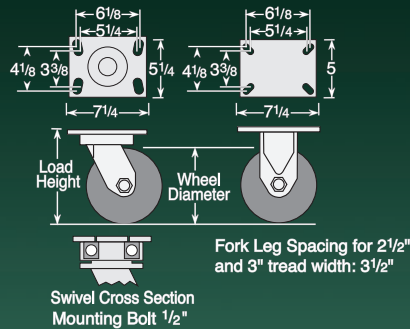
8 colson SERIES enFORCER

Capacity up to 8000 lbs each www.colsoncaster.com

Standard Features

- Attractive zinc plated finish
- Single ball hardened swivel raceway construction
- 3/4" solid axle with nut
- 3/8" steel top plate
- Formed fork legs feature robotic welding inside and out for consistent quality
- Fork legs 3/8" thick x 3" wide
- Recessed zerK grease fitting on swivel raceway to prevent damage, grease fitting on wheel bearing for easy maintenance
- Multi-temp grease lubricates in extreme hot and cold temperatures

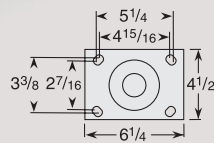
Kingpinless Top Plate Swivel & Rigid



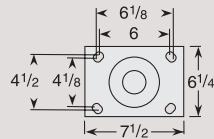
Performance Options

Optional Top Plates (Consult Factory)

2 Top Plate (Specify MTG2).



3 Top Plate (Specify MTG3).



Caster Brake

Tread Lock (See page 12)
Available on all swivel casters except V-Groove models (Specify BRK1).

Fork/Wheel Options

Hand Activated Swivel Lock (See page 13)

Nut Option: NT1 Thick lock nut

Optional Load Heights:

| Wheel Dia. | Load Ht. | Swi. Rad. | Specify |
|------------|----------|-----------|---------|
| 6" | 8" | 47/8 | LH8.0 |
| 8" | 10 1/2" | 65/8 | LH10.5 |
| 10" | 12 1/2" | 8 1/8 | LH12.5 |
| 12" | 15 1/2" | 10 1/8 | LH15.5 |

Wheel Selection



PERFORMA
FLAT/BLACK



MOLDON RUBBER
ALUMINUM CORE



MOLDON RUBBER
CAST IRON



PHENOLIC



POLYURETHANE
HI-TECH



POLYURETHANE
ALUMINUM



POLYURETHANE
CAST IRON



CAST IRON



FORGED STEEL



V-GROOVE

8 SERIES ENFORCER • Kingpinless Top Plate Swivel & Rigid • Capacity up to 8000 lbs

| Wheel Dia | Tread Width | Capacity Each (Pounds) | Wheel Descriptions | Swivel Top Plate Roller Bearing Caster Models | Rigid Top Plate Roller Bearing Caster Models | Optional Bearings (Order information below chart) | Load Height | Swivel Radius | Weight lbs (Rigid Deduct 5 lbs) |
|--------------------------------------|-------------|------------------------|--------------------------------------|---|--|---|----------------|---------------|---------------------------------|
| 6" | 2 1/2" | 540 | Moldon Rubber (Aluminum Core) | 8.06689.669 | 8.06688.669 | Delrin, Roller | 7 1/2 | 4 3/8 | 11 |
| | | | Moldon Rubber (Cast Iron Core) | 8.06689.669.7 | 8.06688.669.7 | Delrin, Roller | 7 1/2 | 4 3/8 | 16 |
| | | 1600 | Phenolic | 8.06689.369 | 8.06688.369 | Delrin, Roller | 7 1/2 | 4 3/8 | 13 1/2 |
| | | 1620 | Moldon Polyurethane (Cast Iron Core) | 8.06689.969.7 | 8.06688.969.7 | Delrin, Roller | 7 1/2 | 4 3/8 | 18 1/4 |
| | | 2500 | Cast Iron | 8.06689.169 | 8.06688.169 | Delrin, Roller | 7 1/2 | 4 3/8 | 20 |
| | | | V-Groove | 8.06689.769 | 8.06688.769 | Delrin, Roller | 7 1/2 | 4 3/8 | 20 |
| | | 4000 | Forged Steel | 8.06689.269 | 8.06688.269 | Delrin, Roller | 7 1/2 | 4 3/8 | 24 |
| | 3" | 680 | Moldon Rubber (Aluminum Core) | 8.06689.679 | 8.06688.679 | Delrin, Roller | 7 1/2 | 4 3/8 | 12 |
| | | | Moldon Rubber (Cast Iron Core) | 8.06689.679.7 | 8.06688.679.7 | Delrin, Roller | 7 1/2 | 4 3/8 | 17 |
| | | 2000 | Moldon Polyurethane (Aluminum Core) | 8.06689.979 | 8.06688.979 | Delrin, Roller | 7 1/2 | 4 3/8 | 14 1/4 |
| | | | Moldon Polyurethane (Cast Iron Core) | 8.06689.979.7 | 8.06688.979.7 | Delrin, Roller | 7 1/2 | 4 3/8 | 14 1/4 |
| | | 2040 | Moldon Polyurethane (Cast Iron Core) | 8.06689.979.7 | 8.06688.979.7 | Delrin, Roller | 7 1/2 | 4 3/8 | 19 1/4 |
| 8000 | | V-Groove | 8.06689.789 | 8.06688.789 | Delrin, Roller | 7 1/2 | 4 3/8 | 21 1/4 | |
| 8" | 2 1/2" | 670 | Moldon Rubber (Aluminum Core) | 8.08689.669 | 8.08688.669 | Delrin, Roller | 10 1/8 | 6 3/16 | 14 |
| | | | Moldon Rubber (Cast Iron Core) | 8.08689.669.7 | 8.08688.669.7 | Delrin, Roller | 10 1/8 | 6 3/16 | 19 |
| | | 2000 | Moldon Polyurethane (Cast Iron Core) | 8.08689.969.7 | 8.08688.969.7 | Delrin, Roller | 10 1/8 | 6 3/16 | 23 |
| | | 2500 | Phenolic | 8.08689.369 | 8.08688.369 | Delrin, Roller | 10 1/8 | 6 3/16 | 15 1/2 |
| | | Cast Iron | 8.08689.169 | 8.08688.169 | Delrin, Roller | 10 1/8 | 6 3/16 | 23 1/4 | |
| | 3" | 840 | Moldon Rubber (Aluminum Core) | 8.08689.679 | 8.08688.679 | Delrin, Roller | 10 1/8 | 6 3/16 | 19 3/4 |
| | | | Moldon Rubber (Cast Iron Core) | 8.08689.679.7 | 8.08688.679.7 | Delrin, Roller | 10 1/8 | 6 3/16 | 24 3/4 |
| | | 2500 | Phenolic | 8.08689.379 | 8.08688.379 | Delrin, Roller | 10 1/8 | 6 3/16 | 16 1/2 |
| | | | Moldon Polyurethane (Aluminum Core) | 8.08689.979 | 8.08688.979 | Delrin, Roller | 10 1/8 | 6 3/16 | 23 3/4 |
| | | | Moldon Polyurethane (Cast Iron Core) | 8.08689.979.7 | 8.08688.979.7 | Delrin, Roller | 10 1/8 | 6 3/16 | 27 3/4 |
| | | | Cast Iron | 8.08689.179 | 8.08688.179 | Delrin, Roller | 10 1/8 | 6 3/16 | 27 3/4 |
| | | 4500 | Forged Steel | 8.08689.279 | 8.08688.279 | Delrin, Roller | 10 1/8 | 6 3/16 | 31 1/4 |
| 2500 | | V-Groove | 8.06689.779 | 8.06688.779 | Delrin, Roller | 10 1/8 | 6 3/16 | 31 1/4 | |
| 10" | 2 1/2" | 790 | Moldon Rubber (Aluminum Core) | 8.10689.669 | 8.10688.669 | Delrin, Roller | 11 1/2 | 7 3/8 | 19 1/2 |
| | | | Moldon Rubber (Cast Iron Core) | 8.10689.669.7 | 8.10688.669.7 | Delrin, Roller | 11 1/2 | 7 3/8 | 24 1/2 |
| | | 1000 | Performa Rubber (Flat Black) | 8.10689.459.2 | 8.10688.459.2 | Delrin, Roller | 11 1/2 | 7 3/8 | 18 1/4 |
| | | 1200 | Polyurethane HI-TECH | 8.10689.959 | 8.10688.959 | Delrin, Roller | 11 1/2 | 7 3/8 | 18 1/4 |
| | | 1800 | Cast Iron | 8.10689.169 | 8.10688.169 | Delrin, Roller | 11 1/2 | 7 3/8 | 29 |
| | | 2300 | Moldon Polyurethane (Cast Iron Core) | 8.10689.969.7 | 8.10688.969.7 | Delrin, Roller | 11 1/2 | 7 3/8 | 31 1/4 |
| | 2500 | Phenolic | 8.10689.369 | 8.10688.369 | Delrin, Roller | 11 1/2 | 7 3/8 | 19 1/2 | |
| | 3" | 1000 | Moldon Rubber (Aluminum Core) | 8.10689.679 | 8.10688.679 | Delrin, Roller | 11 1/2 | 7 3/8 | 20 1/4 |
| | | | Moldon Rubber (Cast Iron Core) | 8.10689.679.7 | 8.10688.679.7 | Delrin, Roller | 11 1/2 | 7 3/8 | 25 1/4 |
| | | 2900 | Phenolic | 8.10689.379 | 8.10688.379 | Delrin, Roller | 11 1/2 | 7 3/8 | 19 1/2 |
| | | 3000 | Moldon Polyurethane (Aluminum Core) | 8.10689.979 | 8.10688.979 | Delrin, Roller | 11 1/2 | 7 3/8 | 26 1/2 |
| | | | Moldon Polyurethane (Cast Iron Core) | 8.10689.979.7 | 8.10688.979.7 | Delrin, Roller | 11 1/2 | 7 3/8 | 31 1/2 |
| | | | Cast Iron | 8.10689.179 | 8.10688.179 | Delrin, Roller | 11 1/2 | 7 3/8 | 31 1/2 |
| | | 4500 | Forged Steel | 8.10689.279 | 8.10688.279 | Delrin, Roller | 11 1/2 | 7 3/8 | 37 1/2 |
| 12" | | 2 1/2" | 950 | Moldon Rubber (Aluminum Core) | 8.12689.669 | 8.12688.669 | Delrin, Roller | 13 1/2 | 8 7/8 |
| | | | Moldon Rubber (Cast Iron Core) | 8.12689.669.7 | 8.12688.669.7 | Delrin, Roller | 13 1/2 | 8 7/8 | 27 1/4 |
| | | 2700 | Moldon Polyurethane (Cast Iron Core) | 8.12689.969.7 | 8.12688.969.7 | Delrin, Roller | 13 1/2 | 8 7/8 | 26 1/2 |
| | 3" | 1140 | Moldon Rubber (Aluminum Core) | 8.12689.679 | 8.12688.679 | Delrin, Roller | 13 1/2 | 8 7/8 | 23 3/4 |
| | | | Moldon Rubber (Cast Iron Core) | 8.12689.679.7 | 8.12688.679.7 | Delrin, Roller | 13 1/2 | 8 7/8 | 28 3/4 |
| | | 1700 | Performa Rubber (Flat Black) | 8.12689.459.2 | 8.12688.459.2 | Delrin, Roller | 13 1/2 | 8 7/8 | 22 1/4 |
| | | | Polyurethane HI-TECH | 8.12689.989 | 8.12688.989 | Delrin, Roller | 13 1/2 | 8 7/8 | 22 1/4 |
| | | 3000 | Cast Iron | 8.12689.179 | 8.12688.179 | Delrin, Roller | 13 1/2 | 8 7/8 | 35 3/4 |
| | | 3500 | Phenolic | 8.12689.379 | 8.12688.379 | Delrin, Roller | 13 1/2 | 8 7/8 | 24 3/4 |
| | | | Moldon Polyurethane (Aluminum Core) | 8.12689.979 | 8.12688.979 | Delrin, Roller | 13 1/2 | 8 7/8 | 35 |
| Moldon Polyurethane (Cast Iron Core) | | | 8.12689.979.7 | 8.12688.979.7 | Delrin, Roller | 13 1/2 | 8 7/8 | 40 | |

Roller Bearing Options: Metal cage roller bearing (Specify **WB29**).

Roller Bearing Washer Options: Metal thrust & retainer washers (Specify **WSR1**).

Delrin Bearing Options: For standard two-piece bearing change ninth digit to "1" (Example: 7.12679.981).

8 SERIES